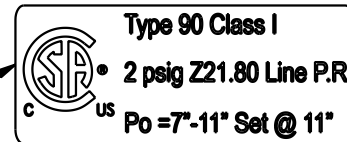
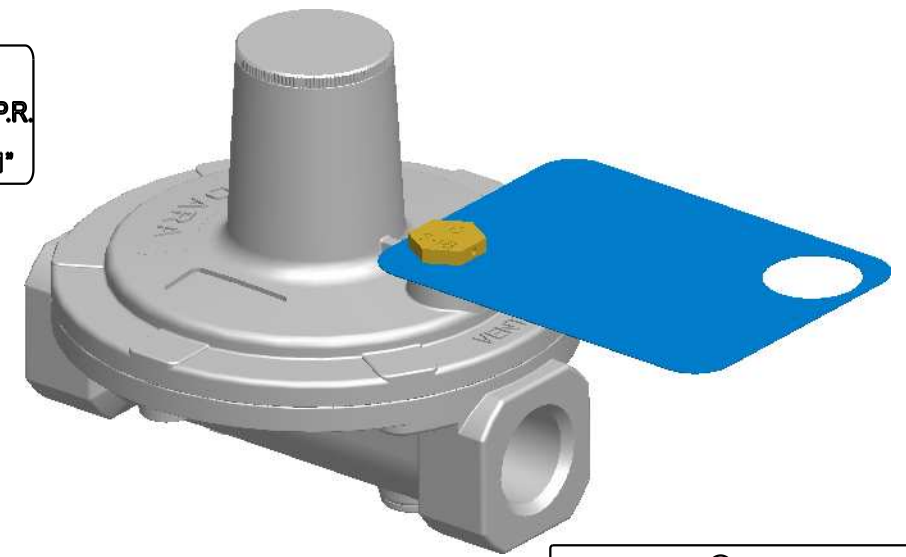
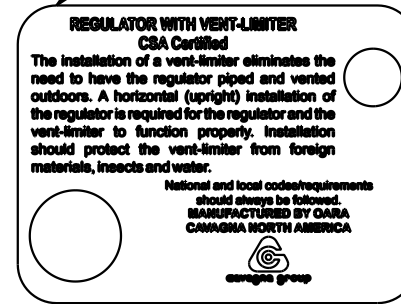


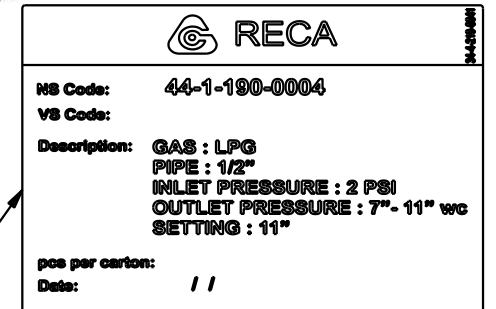
NAMEPLATE DETAIL  
REF. 18-1-310-0343  
WRITTEN IN BLACK



INSTRUCTION



LABEL



NO	PRODUCT NO.	DESCRIPTION	Q.TY
1	00-4-150-0030	Body, for 1/2" and 1/8" NPT. Regulator. Machined. (90102001)	1
2	03-1-950-0054	S/I SEAT- TYPE 90	1
3	05-4-110-0006	BALANCING PIN (STAB TYPE 90)	1
4	02-4-950-0003	S/A BALANCING (STAB. TYPE 90)	1
5	09-4-950-0003	S/A DIAPHRAGM (STAB. TYPE 90)	1
6	01-4-150-0011	Cover for 1/2" NPT. Regulator indicate "OARA". Machined. (90102002)	1
7	07-4-110-0003	SPRING STABILIZER 1/2" M Po=7"-11"	1
8	08-4-110-0007	ADJUSTING SCREW (STAB. TYPE 90)	1
9	19-1-950-0048	S/I PLUG - 1/8 NPT	1
10	34-1-110-0461	INSTRUCTION FOR REGULATOR 44	1
11	19-4-950-0002	S/A VENT LIMITER (STAB. TYPE 90)	1
12	19-1-950-0040	S/I CLOSING NUT - TYPE 90/95	1
13	18-1-310-0343	LABEL (INK STAMP) FOR STAB. 90	1
14	34-4-110-0001	INSTRUCTION IS0005	1
15	23-1-021-0012	ROTOLO PER IMBALLO STANDARD 300 mm	1
16	23-1-510-0024	STANDARD BOX (R52)	1
17	34-4-210-0041	STICKER FOR CARTON IM0024	1

	DENOMINATION		STAB. TYPE 90 (Ref. 9046G339AN)		LPG	11"	2 PSI
	N.A.						
RECA	MODEL	ORIFICE	INLET		OUTLET	SHARED	PROD. INT GROUP
	N.A.	1.5	FEMALE 1/2" NPT		1/2" NPT FEMALE	N.A.	-
PERFORMANCE DOC.	COUNTRY	COUNTRY SPECIFIC	WEIGHT	SCALE	MODIFY FILE	PRODUCT NO	
90-002	U.S.A.	ANSI Z21.18 CSA 6.3	N.A.	7:10	DM04681	44-1-190-0004	
PROD. EVOLUTION	PROJECT NO	RELEASE LEVEL	DRAWN BY	VERIFIED BY	APPROVED BY	DATE	REV
DEFINITIVE	-	APPROVED+	RUSSO R.	TOMASELLI L.	SCHLICK B.	25/02/13	15